

Control devices

Energy manager	EDS / EDS-3G
Maximum demand control device	MDC-20
	MDC-4
Impulse and contact centralisers	LM
Communication accessories	Communication converters
	Modems

EDS, Energy manager with powerStudio and built-in web server

(Efficiency Data Server) - Remote energy manager with PowerStudio Embedded technology

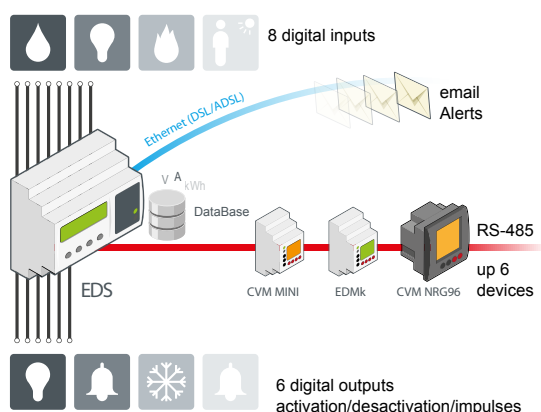


Type	Code	Output relay	Digital inputs	Communications	Protocol
EDS	[*] M61010.	6	8	Ethernet	Modbus Circutor
EDS -Deluxe	[*] M61020.	6	8	Ethernet	Modbus / XML
With 3G communications					
EDS-3G	[*] M61012.	6	8	Ethernet /3G	Modbus Circutor
EDS-3G_Deluxe	[C] M61022.	6	8	Ethernet /3G	Modbus / XML

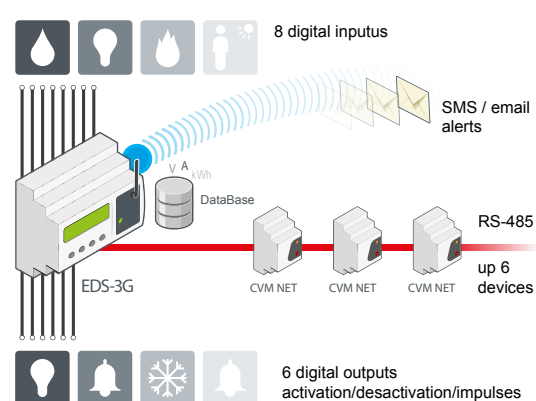
Energy device with embedded PowerStudio technology: Built-in web and XML server, RS-485 Modbus expansion bus, Ethernet 10/100 Base/TX connection, 6 modules mounted on a DIN rail

Type	Code	Description
Accessories antennas		
GXS2	[*] M610A1.	Antenna 4 GHz, 2,14 dBi + cable 5 m
GC2	[*] M610A2.	Antenna 4 GHz, 2,2 dBi antibandada

EDS application example



EDS-3G application example



LM, Impulse and contact centralisers



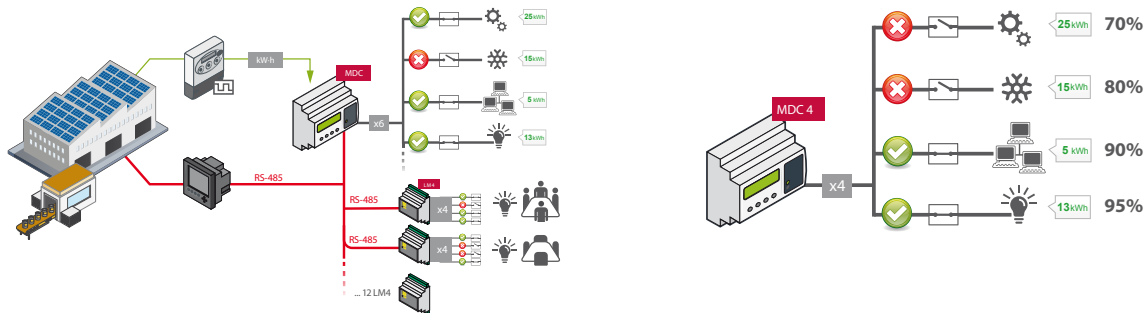
Type	Code	Modules	Output relay	Digital inputs	Analogue Inputs	Communications	Protocol
LM50-TCP+	[*] M31566.	8	-	50	-	RS-485	TCP y UDP, Modbus/TCP
LM25-M	[*] M31567.	8	-	25	-	RS-485	Modbus/RTU
LM4I-4O-M	[*] M31563.	4	4	4	-	RS-485	Modbus/RTU
LM4A-2IO-M	[*] M31565.	4	2	2	4 (4...20mA)	RS-485	Modbus/RTU

(*) Digital inputs (logic 0 / 1) or energy impulses


MDC, Maximum demand control devices

Maximum demand control devices

Type	Code	Description
MDC-20, 6 local Loads, expandable, predictive control		
MDC-20	[*] M61410.	8 digital inputs for logical states or counting impulse signals (electric energy meters, water meters, gas meters, etc.). Load status feedback (inputs/outputs). Expandable via auxiliary LM range units. Historical records of over one year with a log of up to 4500 electrical variables, averaged every 15 minutes, maximum and minimum values over the period (Period can be modified. Ring buffer). RS-485 BUS for connecting up to 12 LM4 i/o
MDC4, 4 loads, level control		
MDC-4	[*] M61430.	Maximum demand control unit, by level. Includes a built-in three-phase power analyzer and 4 relay outputs of up to 6 A for controlling non-priority loads


TH-DG, Photovoltaic monitoring

Type	Code	Description
TH-DG-RS485	[*] M61310.	Temperature and humidity probe with RS-485 communications (Modbus/RTU).. Needs a 9...24 V ac/cc power supply. PowerStudio supported


ReadWatt, Impulse collection with communication

Type	Code	Description
ReadWatt	[*] M62311.	Impulse collector with RS232/RS485 Modbus communications. Built in transistor output. PowerStudio supported
PS 100...240Vcc	[*] M62331.	ReadWatt power supply


RS2RS/TCP2RS/CMBUS, Communication converters

Type	Code	Description
LR1RS+PSAC	[2] M6215A.	LORA to RS-485 Converter (Modbus/RTU) . AC power supply (110...265 Vac)
LR1RS+PSDC	[2] M6215C.	LORA to RS-485 Converter (Modbus/RTU) . DC power supply (12 Vdc)
RS2RS	[*] M62141.	RS-232/485 Intelligent converter and amplifier (RTS control) for PC
USB-RS 485	[*] M54040.	USB to RS-485 Converter
USB-RS 232	[*] M54050.	USB to RS-232 Converter
TCP1RS+	[*] M62121.	RS-485 / Ethernet modbus/TCP Converter
TCP2RS+	[*] M54033.	RS-232/485 Converter / Ethernet Modbus/TCP. Built-in web server and web set-up
CMBUS-8	[*] M540A0.	M-Bus to Modbus Converter, up to 8 Mbus slaves
CMBUS-24	[*] M540B0.	M-Bus to Modbus Converter, up to 24 Mbus slaves

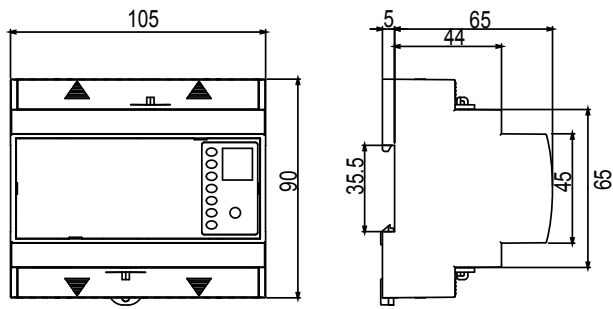

Modems, Communication accessories

Type	Code	Description
CM-GSM/GPRS	[1] Q30250.	GSM RS-232/485 Modem (includes antenna)
SGE-3G/GPRS	[*] Q30230.	GPRS-3G Modem with Ethernet communications (includes PS + antenna + cable)
ANTENA GSM UT-35 9dB	[1] Q4994E.	Antenna 9 dB (for GSM modem)

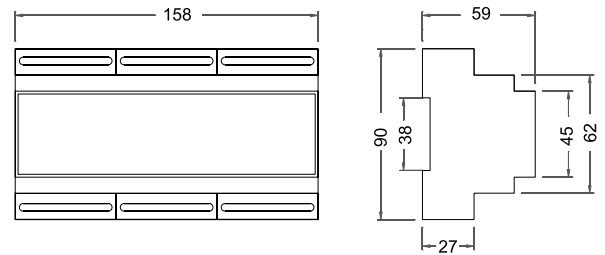


Dimensions

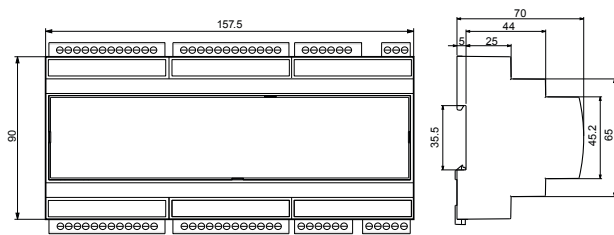
EDS / MDC-4 / MDC-20



LM50-TCP



LM25-M



LM41/40-M / LM4A-210

